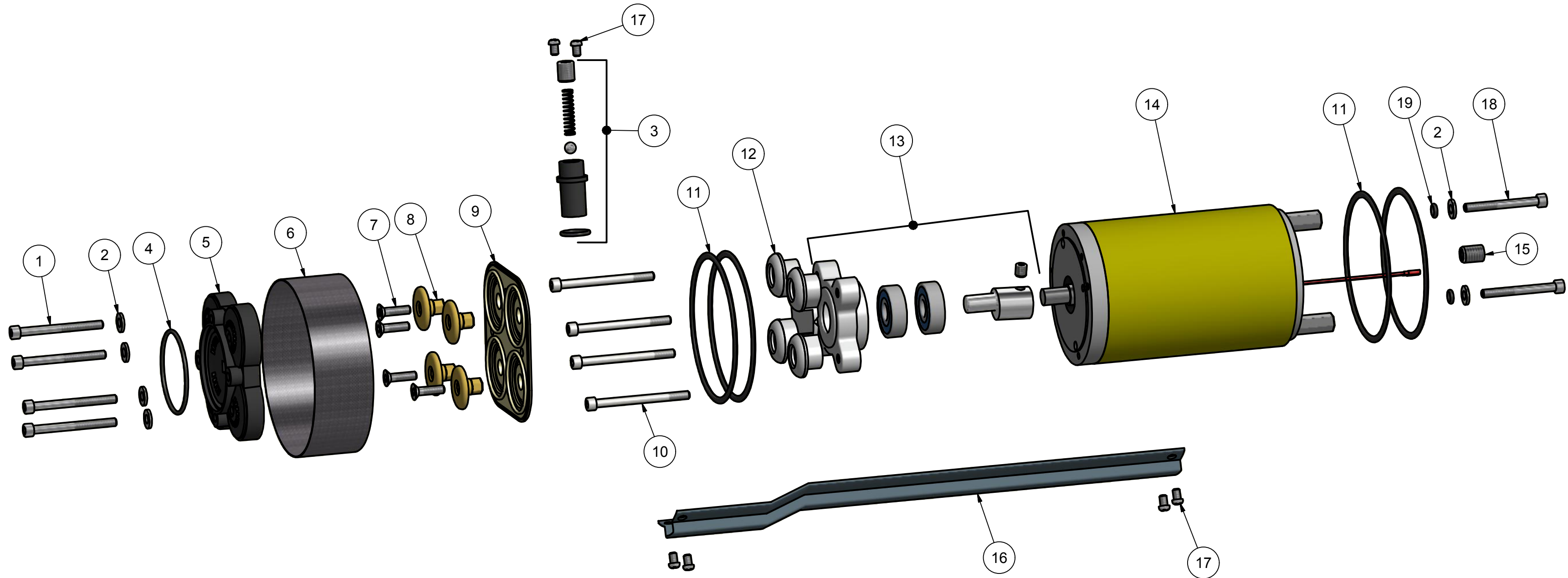


SDS-Q Series Major Repair Kits

SDS-Q-128 PN-55550
 SDS-Q-130 PN-55675
 SDS-Q-135 PN-55700



Parts List

ITEM	QTY	PART NUMBER	DESCRIPTION
1	4	20850	10-32 X 2 Bolt SS
2	6	21775	Washer, AN-960 #10 Flat
3	1	40750	Relief Valve Assembly, Quad
4	1	38815	O-Ring, Q. Check Valve
5	1	40125	Check Valve, Quad
6	1	41075	Suction Screen, Quad 316SS
7	4	20650	10-32 X 1 Piston Screw
8	4	41355	Piston, Top Mount Quad
9	1	40200	Diaphragm, Quad Santoprene
10	4	20775	10-32 X 2 1/4 MA Bolt
11	4	38845	O-Ring, Housing
12	1	40600	Outer Piston Assembly, Quad
13	1	See Chart	Cam Assembly, SDS-Q
14	1	40425	Motor, SDS Long
15	1	21200	Set Screw, 3/8 -16 X 1/2
16	1	39800	Cable Guard, Quad
17	6	21575	Screw, 8-32 X 1/4 PHP
18	2	20550	10-32 X 1.75 SHCS SS
19	2	38800	O-Ring, 008

SDS-Q Cam Assembly

Model Number	Part No.
SDS-Q-128	39975
SDS-Q-130	40000
SDS-Q-135	40025

DRAWN James C. Allen	5/24/2014	SunPumps, Inc.	
CHECKED			
QA		TITLE	
MFG		SDS-Q Major Kits	
APPROVED		SIZE C	DWG NO 55550, 55675, 55700
		SCALE	REV
			SHEET 1 OF 1