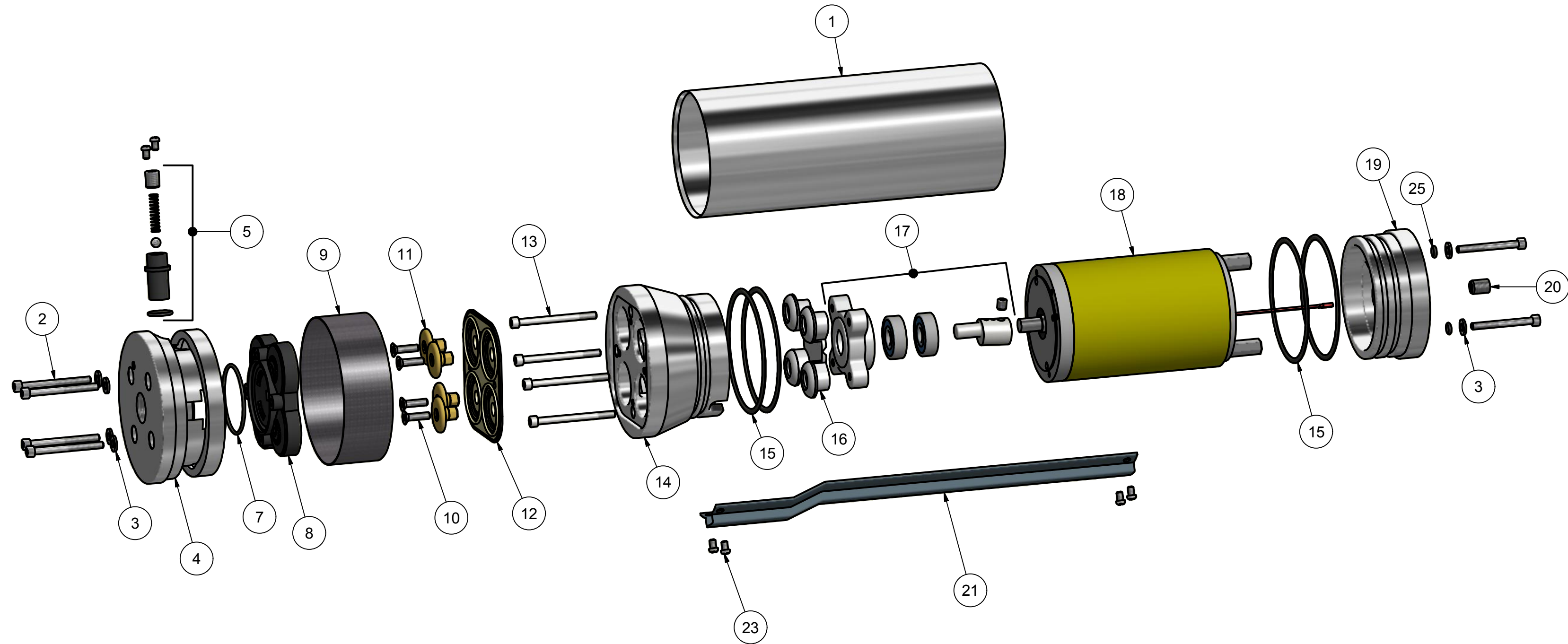


SDS-Q-135 Exploded View

304 SS Housing

(316 SS Housing Optional)
(316 SS Pistons Optional)



Parts List

ITEM	QTY	PART NUMBER	DESCRIPTION
1	1	40350	Housing, SDS SS
2	4	20850	10-32 X 2 Bolt SS
3	6	21775	Washer, AN-960 #10 Flat
4	1	40250	Discharge Head, 316 SS
5	1	40750	Relief Valve Assembly, Quad
7	1	38815	O-Ring, Q. Check Valve
8	1	40125	Check Valve, Quad
9	1	41075	Suction Screen, Quad 316SS
10	4	20650	10-32 X 1 Piston Screw
11	4	40700	Piston, Top Mount Quad
12	1	40200	Diaphragm, Quad Santoprene
13	4	20775	10-32 X 2 1/4 MA Bolt
14	1	40400	Motor Adapter, Quad 316 SS
15	4	38845	O-Ring, Housing
16	1	40600	Outer Piston Assembly, Quad
17	1	40025	Cam Assembly, SDS-Q-130 TM Exploded View
18	1	40425	Motor, SDS Long
19	1	40275	End Cap 2 Groove, 316 SS
20	1	21200	Set Screw, 3/8 -16 X 1/2
21	1	39800	Cable Guard, Quad
23	6	21575	Screw, 8-32 X 1/4 PHP
24	2	20550	10-32 X 1.75 SHCS SS
25	2	38800	O-Ring, 008

DRAWN James C. Allen	5/23/2014	SunPumps, Inc.	
CHECKED		TITLE	
QA		SDS-Q-135	
MFG		SIZE C	DWG NO 51626
APPROVED		SCALE	REV
		SHEET 1 OF 1	