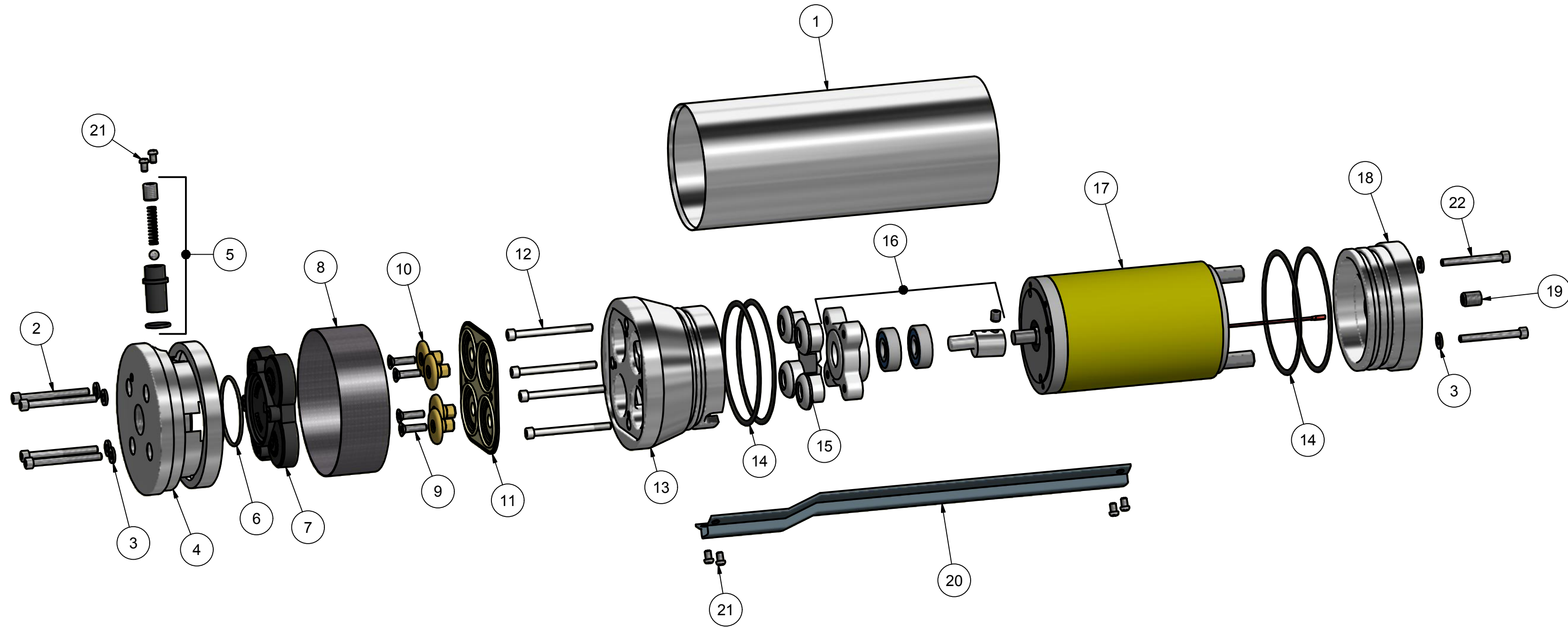


# SDS-Q-130 Exploded View

## 304 SS Housing

(316 SS Housing Optional)  
(316 SS Pistons Optional)



Parts List			
ITEM	QTY	PART NUMBER	DESCRIPTION
1	1	40350	Housing, SDS SS
2	4	20850	10-32 X 2 Bolt SS
3	6	21775	Washer, AN-960 #10 Flat
4	1	40250	Discharge Head, Quad 316 SS
5	1	40750	Relief Valve Assembly, Quad
6	1	38815	O-Ring, Q. Check Valve
7	1	40125	Check Valve, Quad
8	1	41075	Suction Screen, Quad 316SS
9	4	20650	10-32 X 1 Piston Screw
10	4	40700	Piston, Top Mount Quad
11	1	40200	Diaphragm, Quad Santoprene
12	4	20775	10-32 X 2 1/4 MA Bolt
13	1	40400	Motor Adapter, Quad 316 SS
14	4	38845	O-Ring, Housing
15	1	40600	Outer Piston Assembly, Quad
16	1	40000	Cam Assembly, SDS-Q-130 TM
17	1	40425	Motor, SDS Long
18	1	40275	End Cap 2 Groove, 316 SS
19	1	21200	Set Screw, 3/8 -16 X 1/2
20	1	39800	Cable Guard, Quad
21	6	21575	Screw, 8-32 X 1/4 PHP
22	2	20550	10-32 X 1.75 SHCS SS

DRAWN <b>James C. Allen</b>	5/22/2014	<b>SunPumps, Inc.</b>	
CHECKED			
QA		TITLE	
MFG		<b>SDS-Q-130 Exploded View</b>	
APPROVED		SIZE <b>C</b>	DWG NO <b>51601</b>
		SCALE	REV
			SHEET 1 OF 1