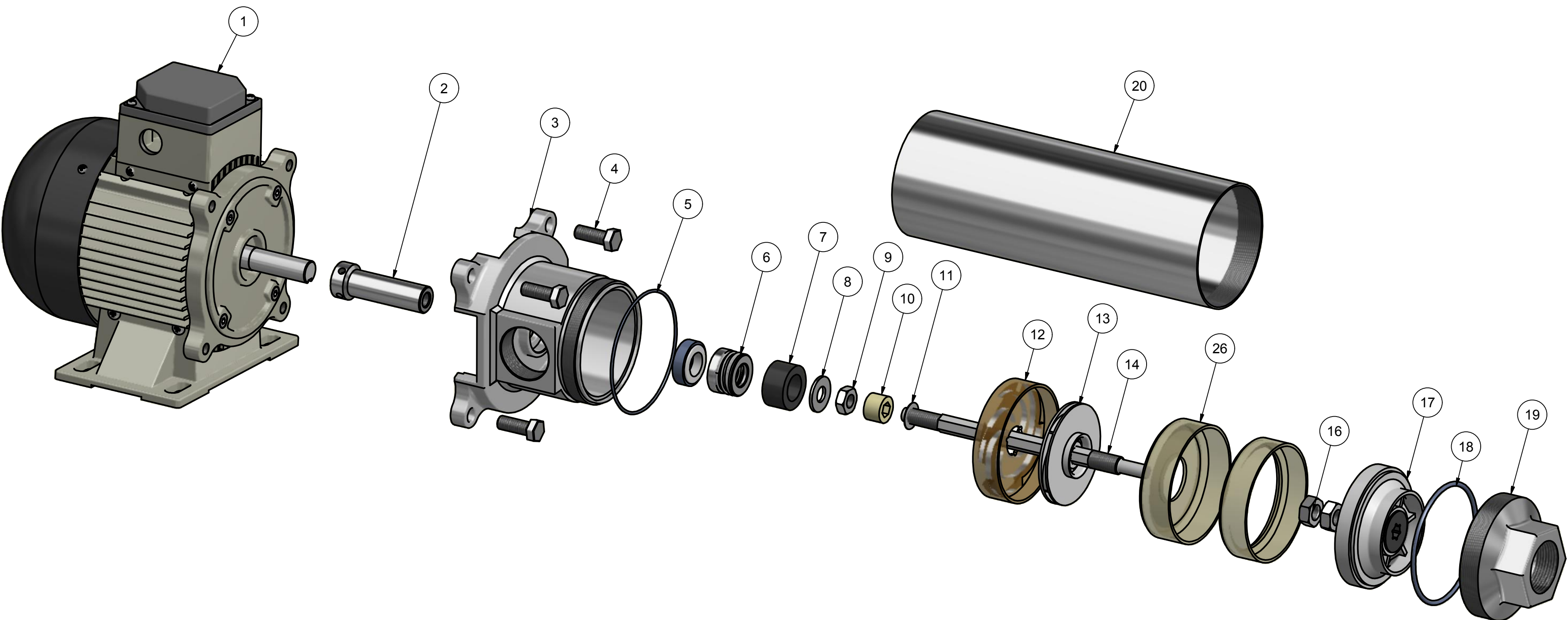


# SunPumps 180V Brushless DC SCB Pumps 10 GPM Impeller



Parts List			
ITEM	QTY	PART NUMBER	DESCRIPTION
1	1	26585	180V 3 HP Brushless DC Motor
2	1	41826	Motor Shaft Extension
3	1	41800	Motor Adapter, SCB
4	4	19650	Bolt, 3/8-16 X 1 SS
5	1	38820	O-Ring, 042
6	1	28520	Seal Assembly, Viton
7	1	41824	Seal Spacer, 3-4 X .655
8	1	22175	Washer, 7/16 SS
9	1	20000	Nut, 7-16 X 1-4, SS
10	1	41822	Spacer, Impeller 7/16 X 1/2
11	1	41820	Shim, 7/16 Hex X .015
12	1	41865	Diffuser, 18-25 GPM
13	Chart	41862	Impeller, 25 GPM New
14	1	See Chart	Pump Shaft
16	2	20085	Nut, 1/2 - 20, SS
17	1	41828	SCB Bearing Assembly, 5-10
18	1	38850	O-Ring, 236
19	1	41805	Suction End Bell, SCB
20	1	See Chart	Housing, SS
26	1	41840	Diffuser Cage, 7-10 .875
27	1	41841	Diffuser Cage 7-10 GPM Modified

Variable Parts List				
Model Number	Stages	Shaft No.	Housing	Pump No.
SCB 10-150-180 BL	8	41878	41938	51375
SCB 10-170-180 BL	9	41879	41939	51376
SCB 10-185-180 BL	10	41880	41940	51377
SCB 10-200-180 BL	11	41881	41941	51378
SCB 10-220-180 BL	12	41882	41942	51379
SCB 10-225-180 BL	13	41883	41943	51380
SCB 10-255-180 BL	14	41884	41944	51381
SCB 10-265-180 BL	15	41885	41945	51382

DRAWN <b>James C.Allen</b> CHECKED	9/11/2012	<b>SunPumps, Inc.</b>	
QA		TITLE <b>180V Brushless DC SCB Pumps 10 GPM Impeller</b>	
MFG		SIZE <b>C</b>	DWG NO <b>EV-SCB-10GPM-180V</b>
APPROVED		SCALE	REV
		SHEET 1 OF 1	